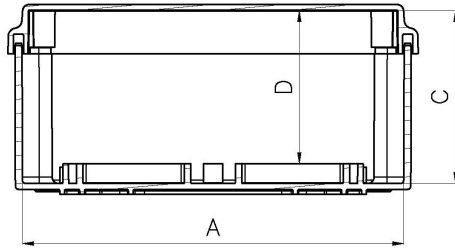


# PC-643C



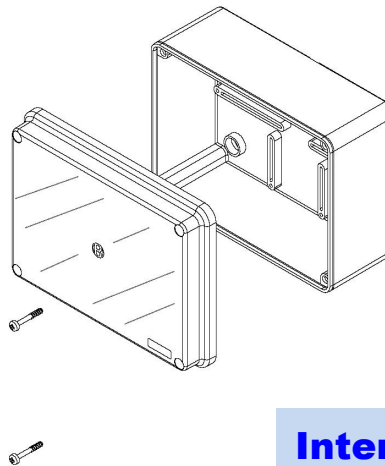
Typical image

## Basic Internal Dimensions

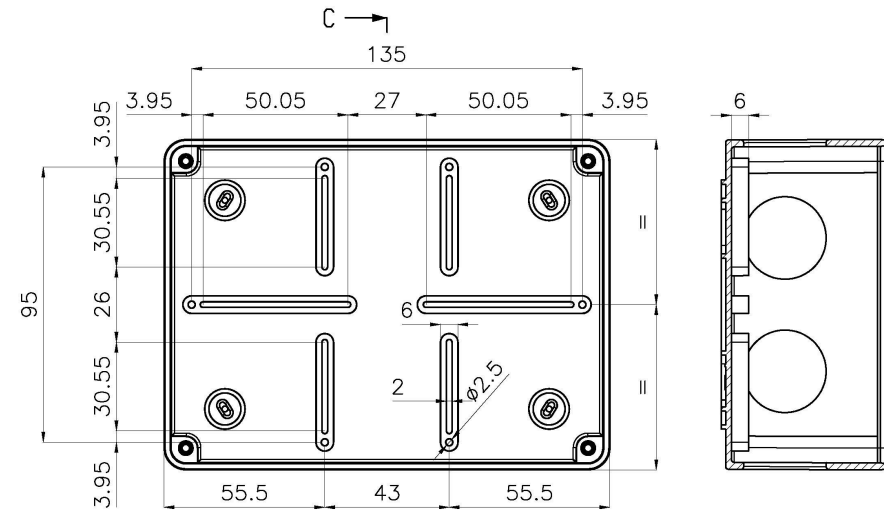
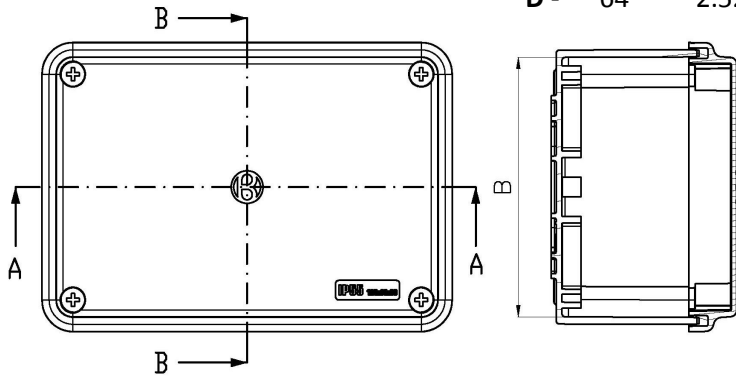


Dimensions:

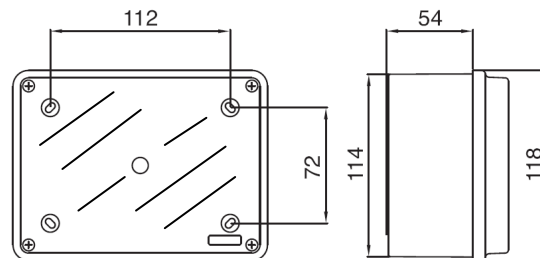
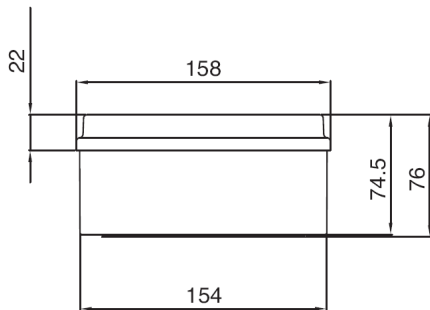
	mm	in.
A -	149	5.87
B -	109	4.29
C -	70	2.76
D -	64	2.52



## Internal Mounting Dimensions



## External Dimensions



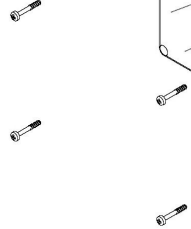
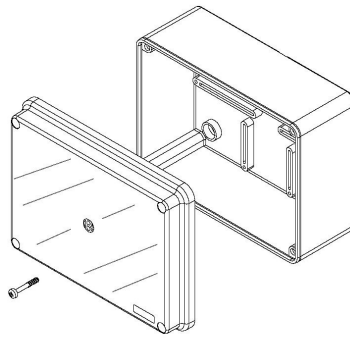
All Dimensions are in Millimeters.



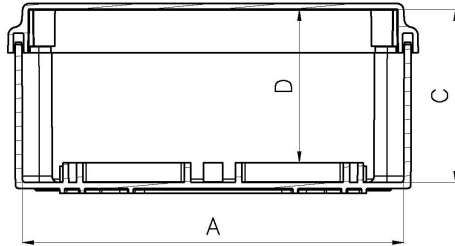
26 Northfield Avenue, Edison, NJ 08837 Tel: 732-417-0066 Fax: 732 417-1166

email: [iboco@iboco.com](mailto:iboco@iboco.com) website: [www.iboco.com](http://www.iboco.com)

# PC-753C

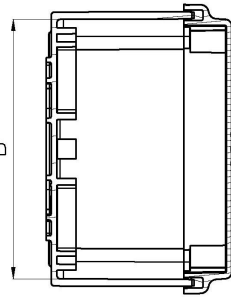
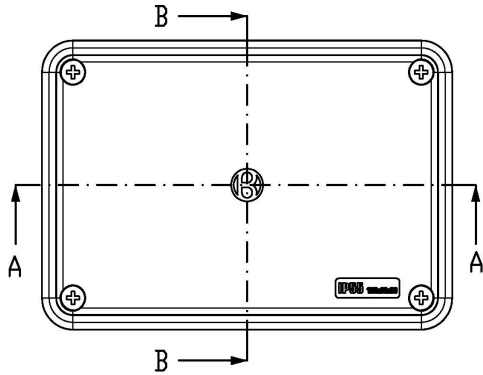


## Basic Internal Dimensions



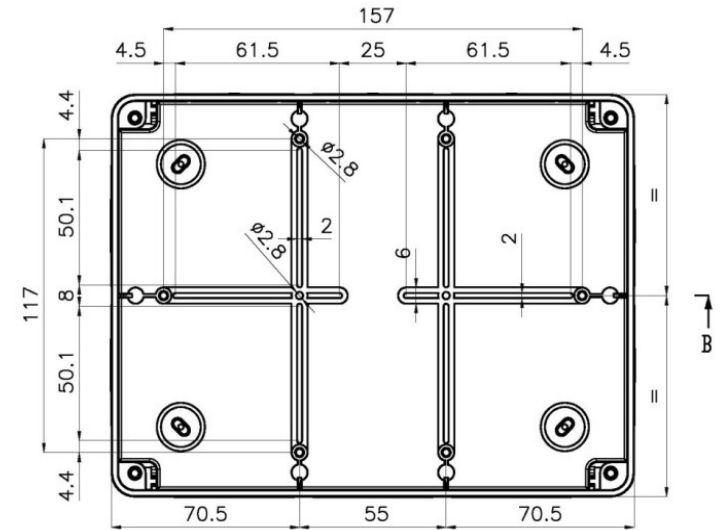
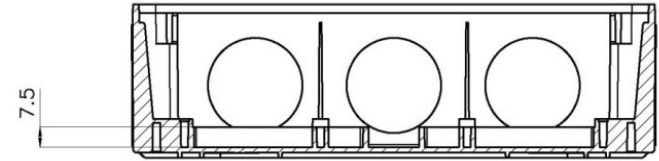
Dimensions:

	mm	in.
A -	190	7.48
B -	144	5.67
C -	73	2.87
D -	65	2.60

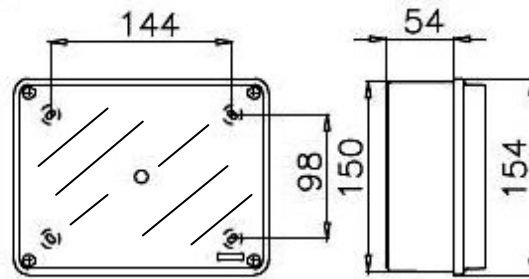
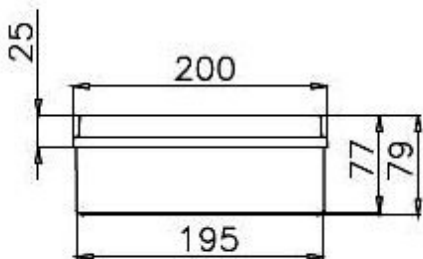


Typical image

## Internal Mounting Dimensions

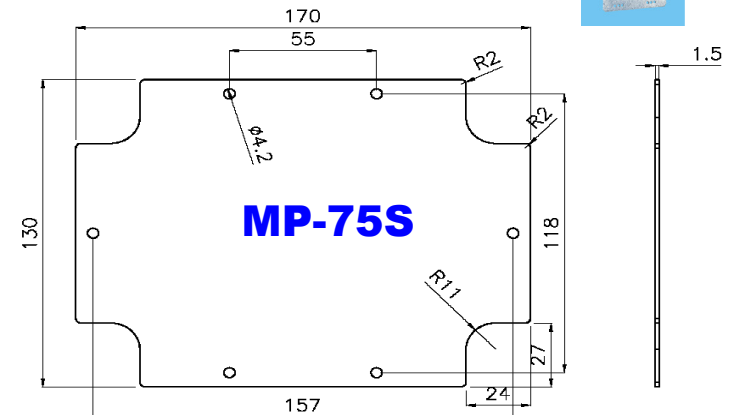
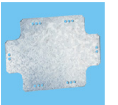


## External Dimensions



All Dimensions are in Millimeters.

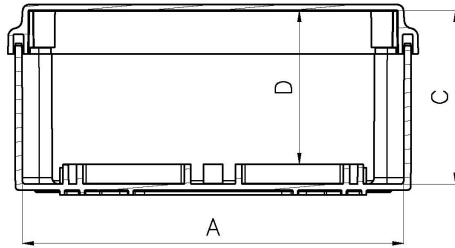
## Optional Mounting Plate



# PC-974C

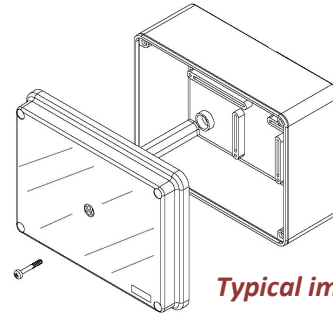
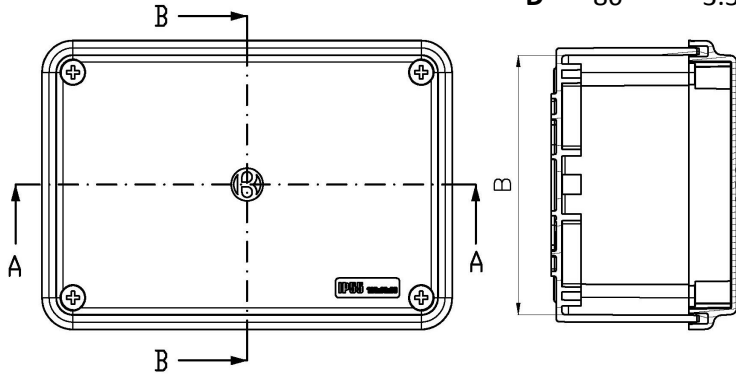


## Basic Internal Dimensions



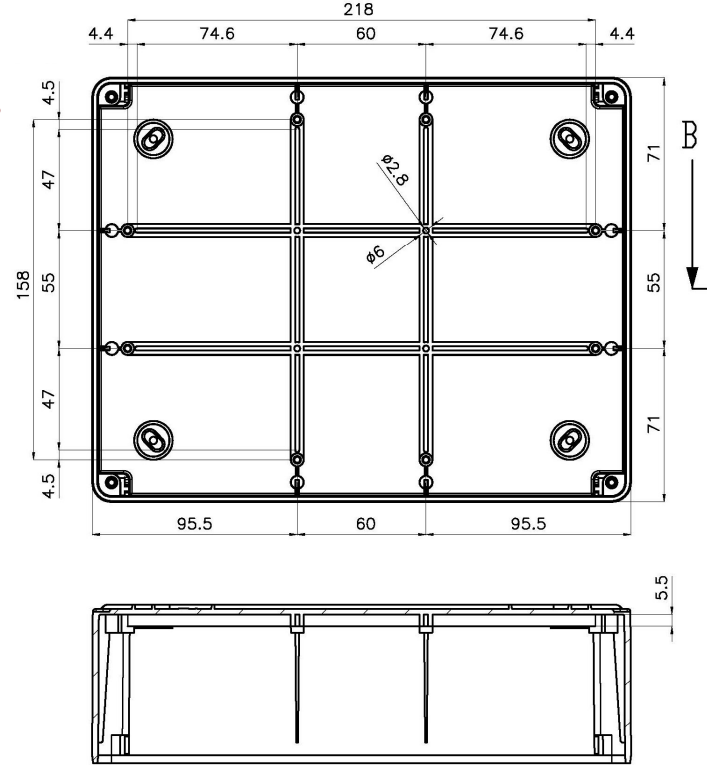
Dimensions:

	mm	in.
A -	245	9.65
B -	191	7.52
C -	91	3.58
D -	86	3.39

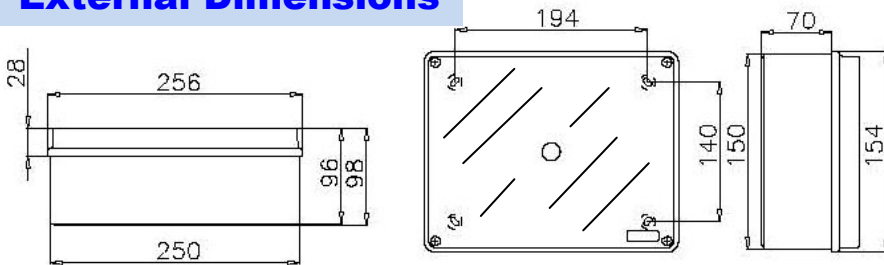


Typical image

## Internal Mounting Dimensions



## External Dimensions

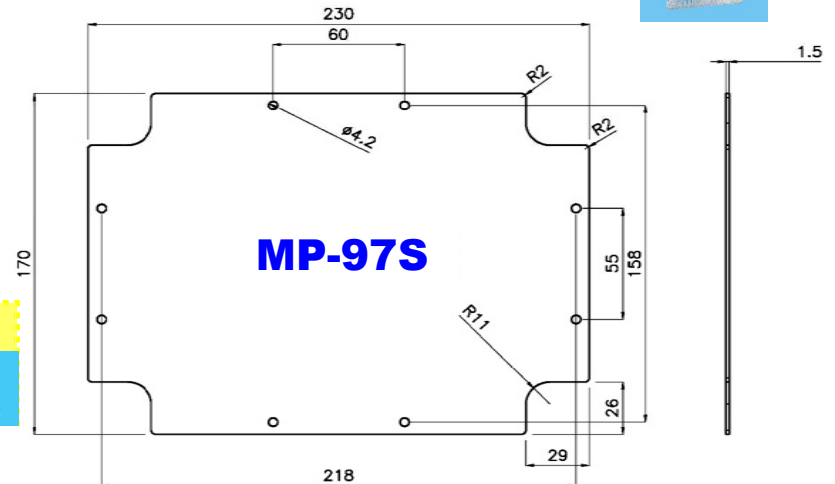


All Dimensions are in Millimeters.

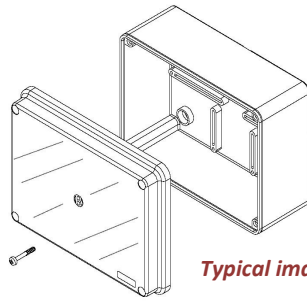
Optional Mounting Feet  
Part # MF-97



## Optional Mounting Plate

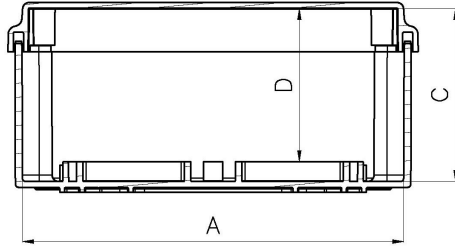


# PC-1295C



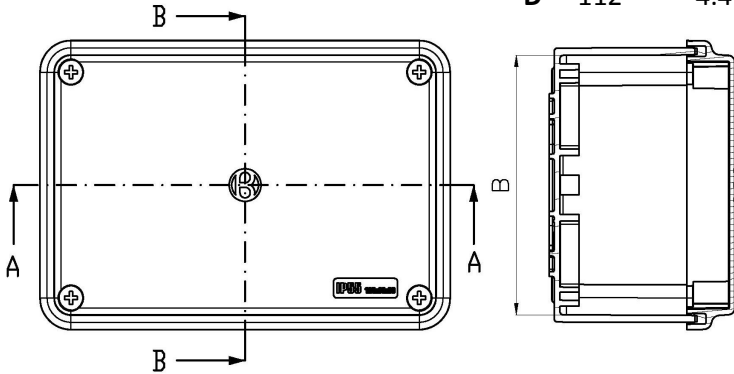
Typical image

## Basic Internal Dimensions

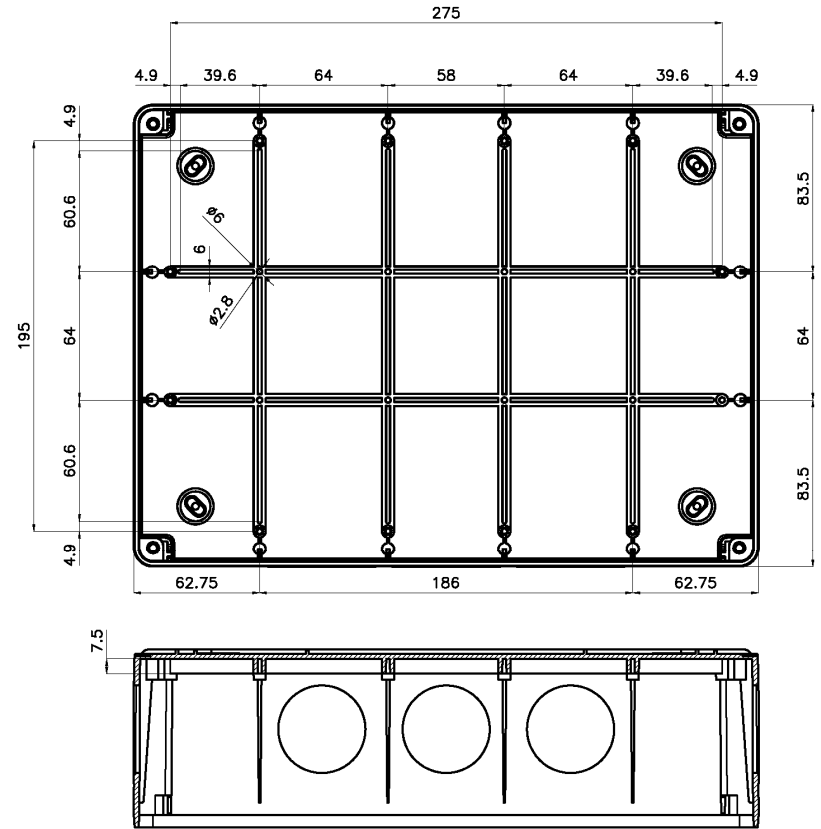


Dimensions:

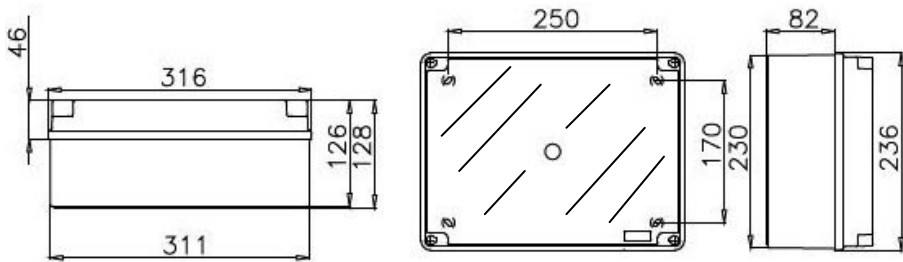
	mm	in.
A -	305	12.01
B -	225	8.86
C -	121	4.76
D -	112	4.41



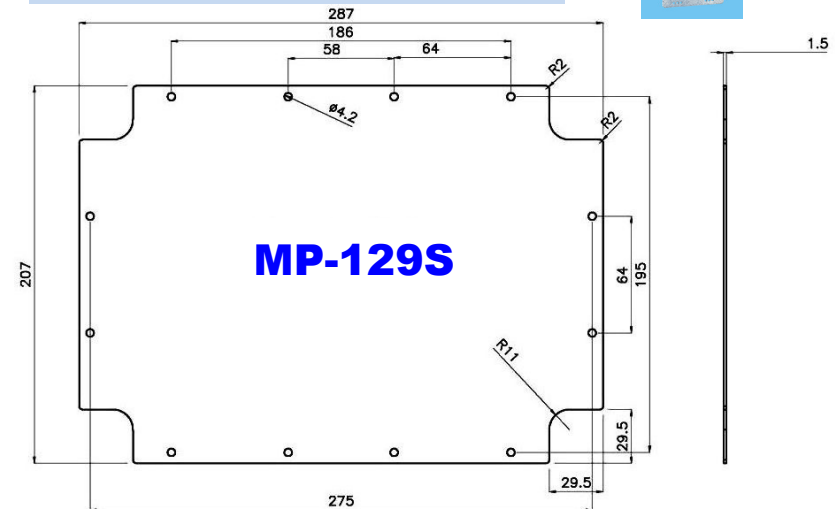
## Internal Mounting Dimensions



## External Dimensions



## Optional Mounting Plate

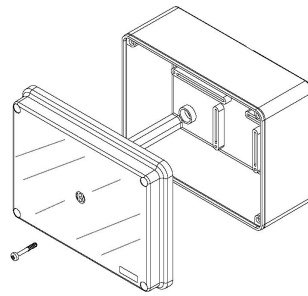


All Dimensions are in Millimeters.

Optional Mounting Feet  
Part # - MF-97

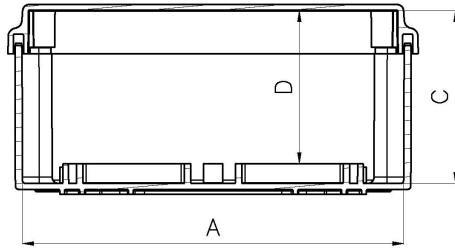


# PC-15125C



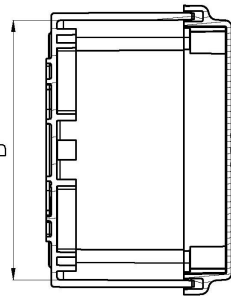
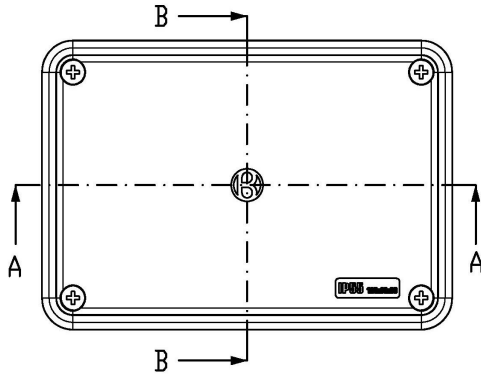
Typical image

## Basic Internal Dimensions

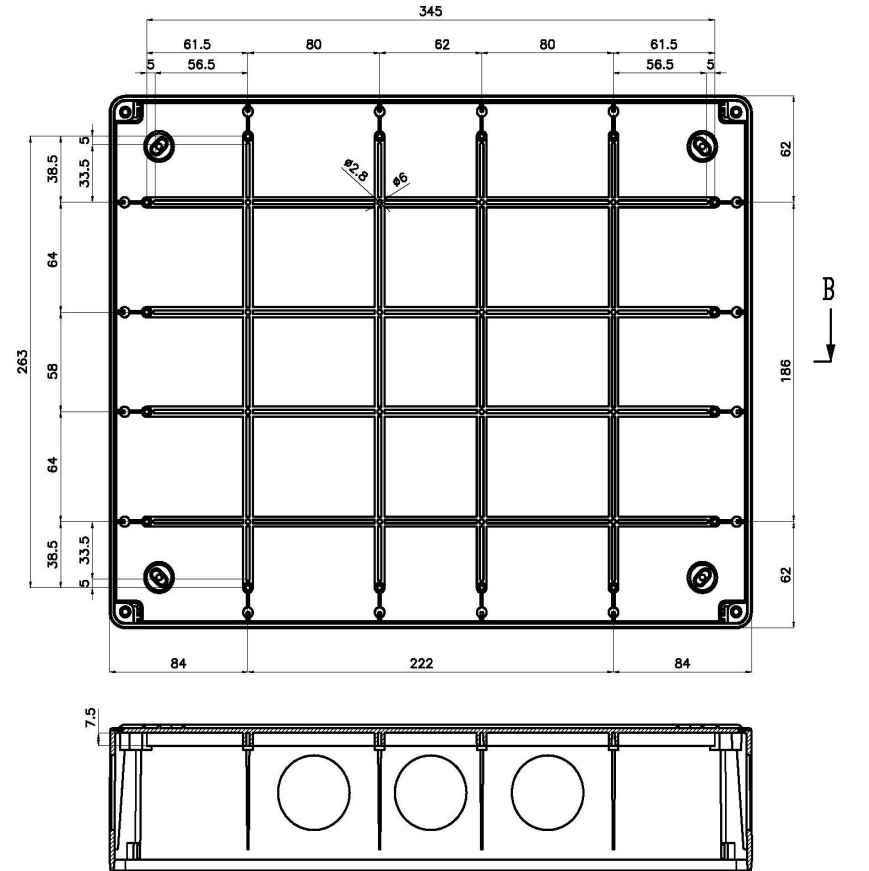


### Dimensions:

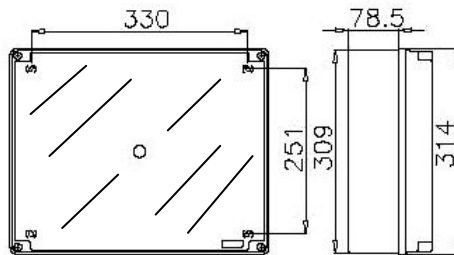
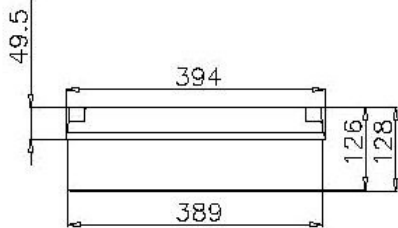
	mm	in.
A -	383	15.08
B -	303	11.93
C -	120	4.72
D -	112	4.41



## Internal Mounting Dimensions



## External Dimensions



## Optional Mounting Feet

Part # MF-97



## Optional Mounting Plate MP-1512S

